

# Kent NGfL Beebot Air Line Jacket

© J. Barrett, 2008

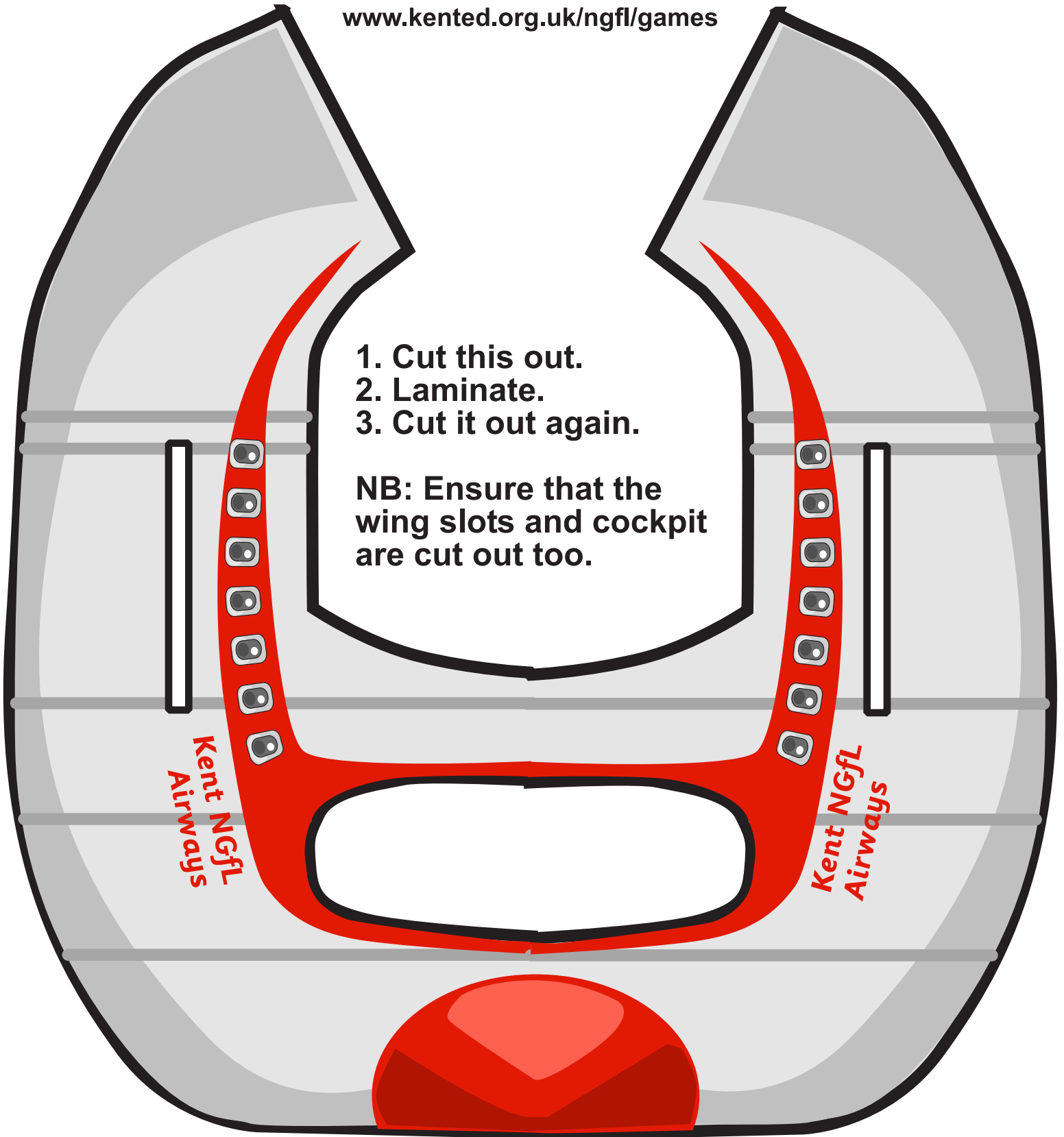
[www.kented.org.uk/ngfl/games](http://www.kented.org.uk/ngfl/games)

1. Cut this out.
2. Laminate.
3. Cut it out again.

**NB:** Ensure that the wing slots and cockpit are cut out too.

Kent NGfL  
Airways

Kent NGfL  
Airways

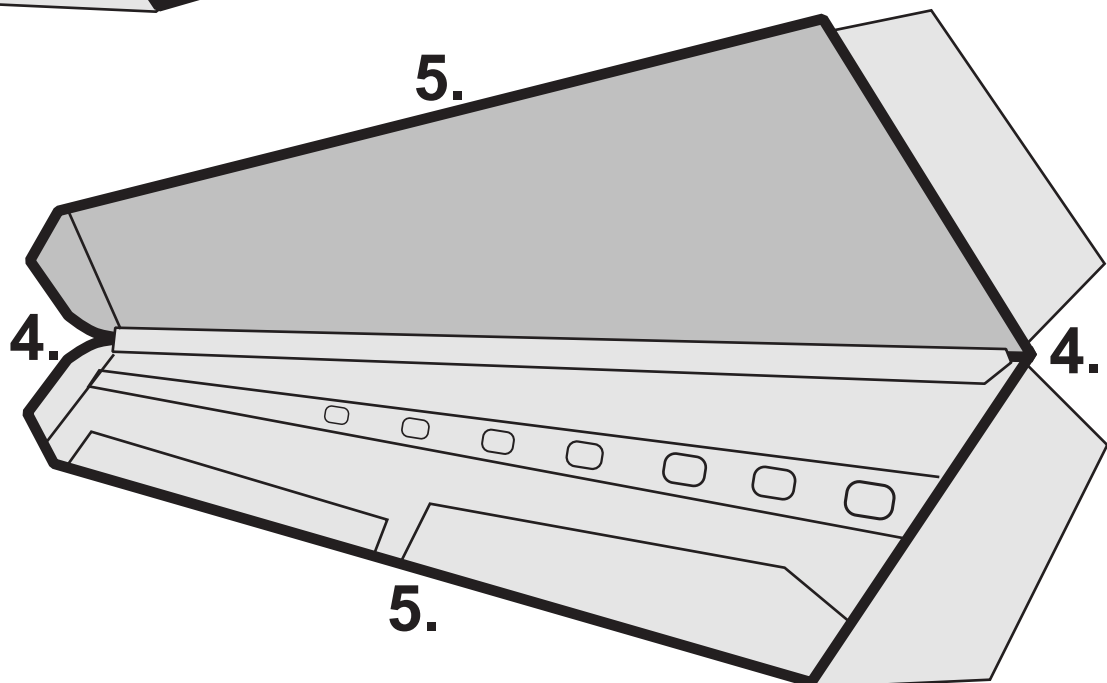
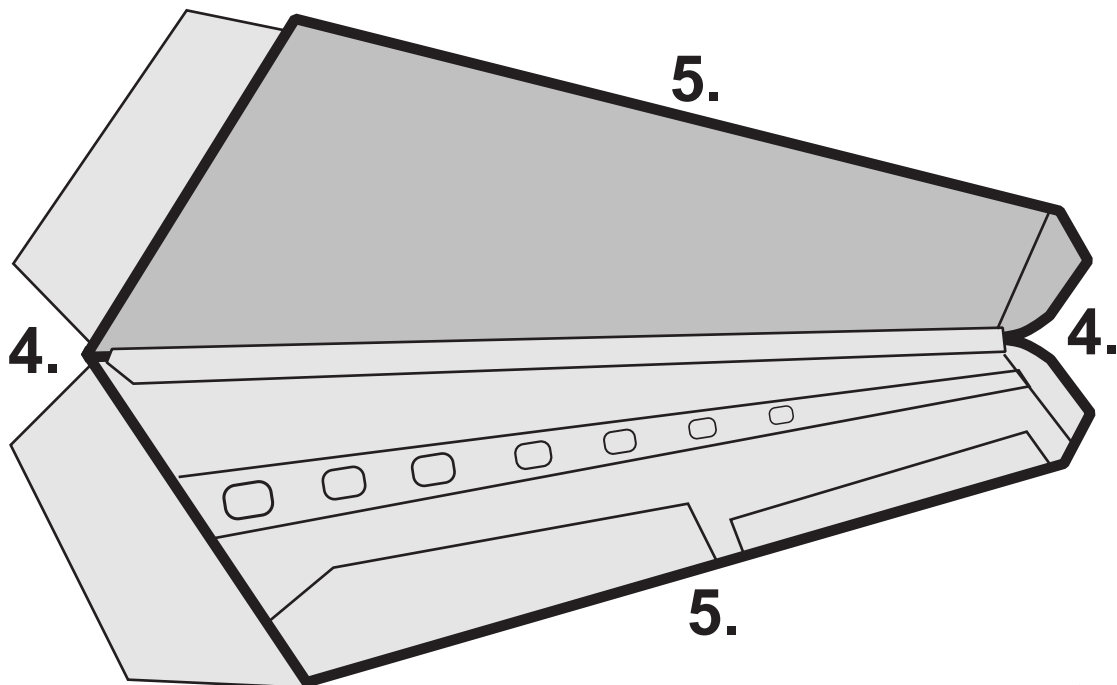


# Kent NGfL Beebot Air Line Jacket

© J. Barrett, 2008

## Wings

1. Cut these out.
2. Laminate.
3. Cut them out again.
4. Score along the leading edge of the wing and then fold.
5. Sellotape the trailing edges together.

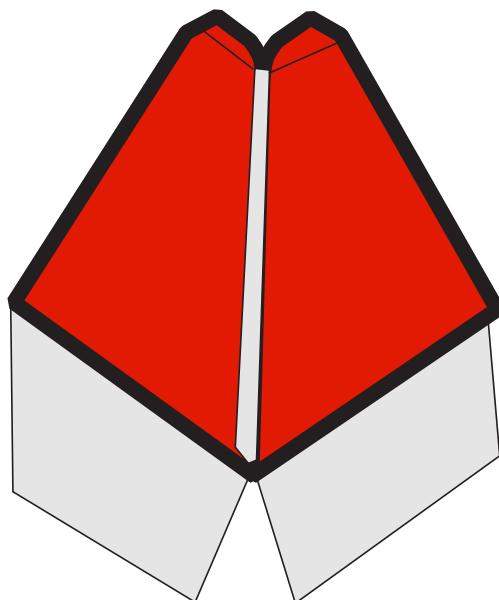
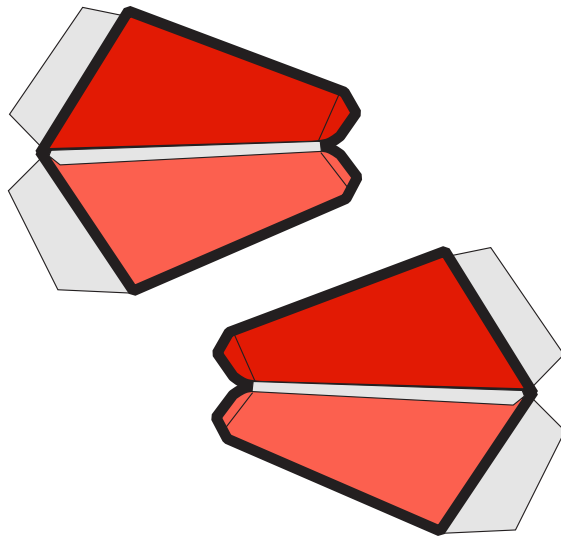


# Kent NGfL Beebot Air Line Jacket

© J. Barrett, 2008

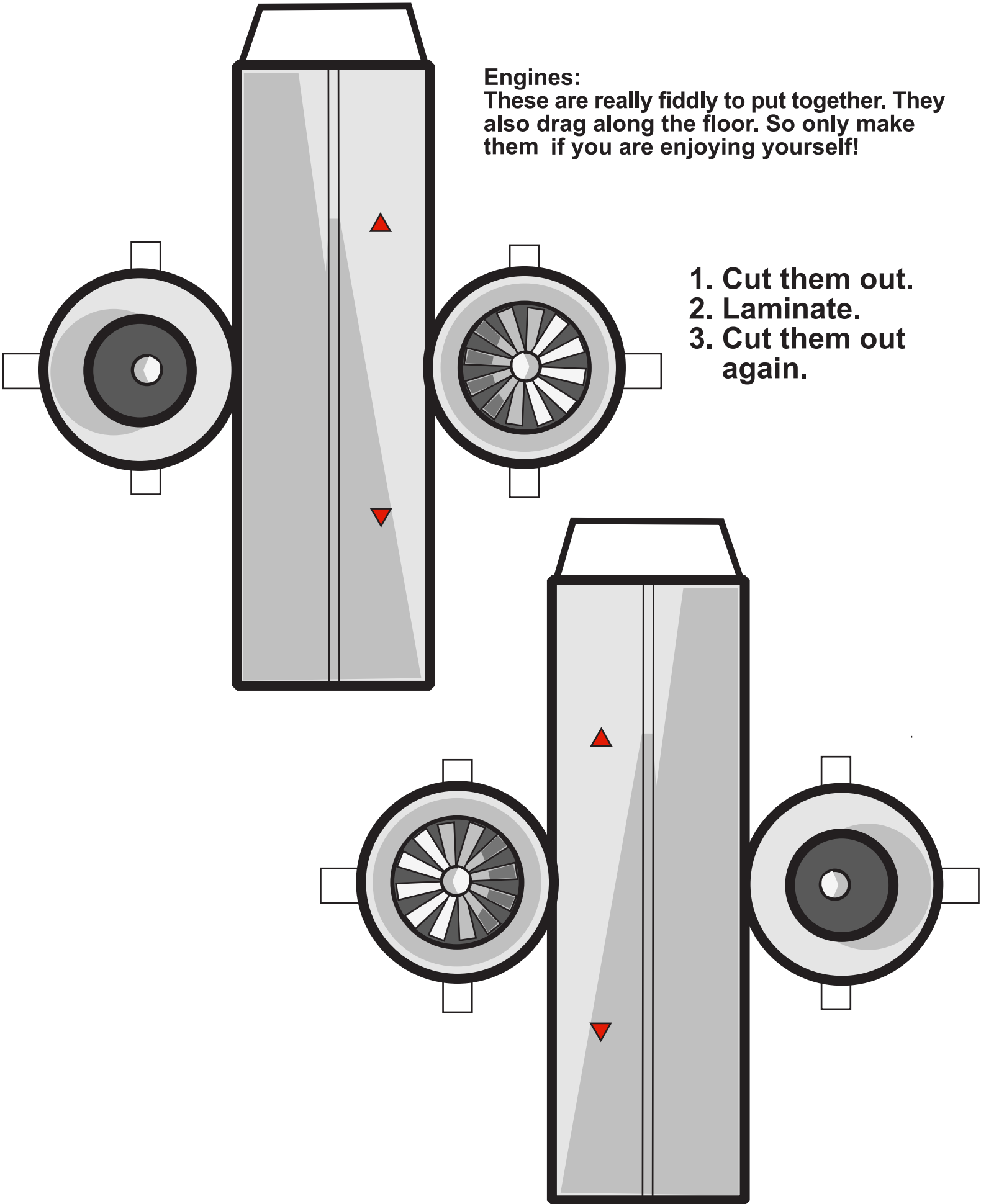
## Tailplane

1. Cut these out.
2. Fold along the leading edges.
3. Laminate.
4. Cut them out again



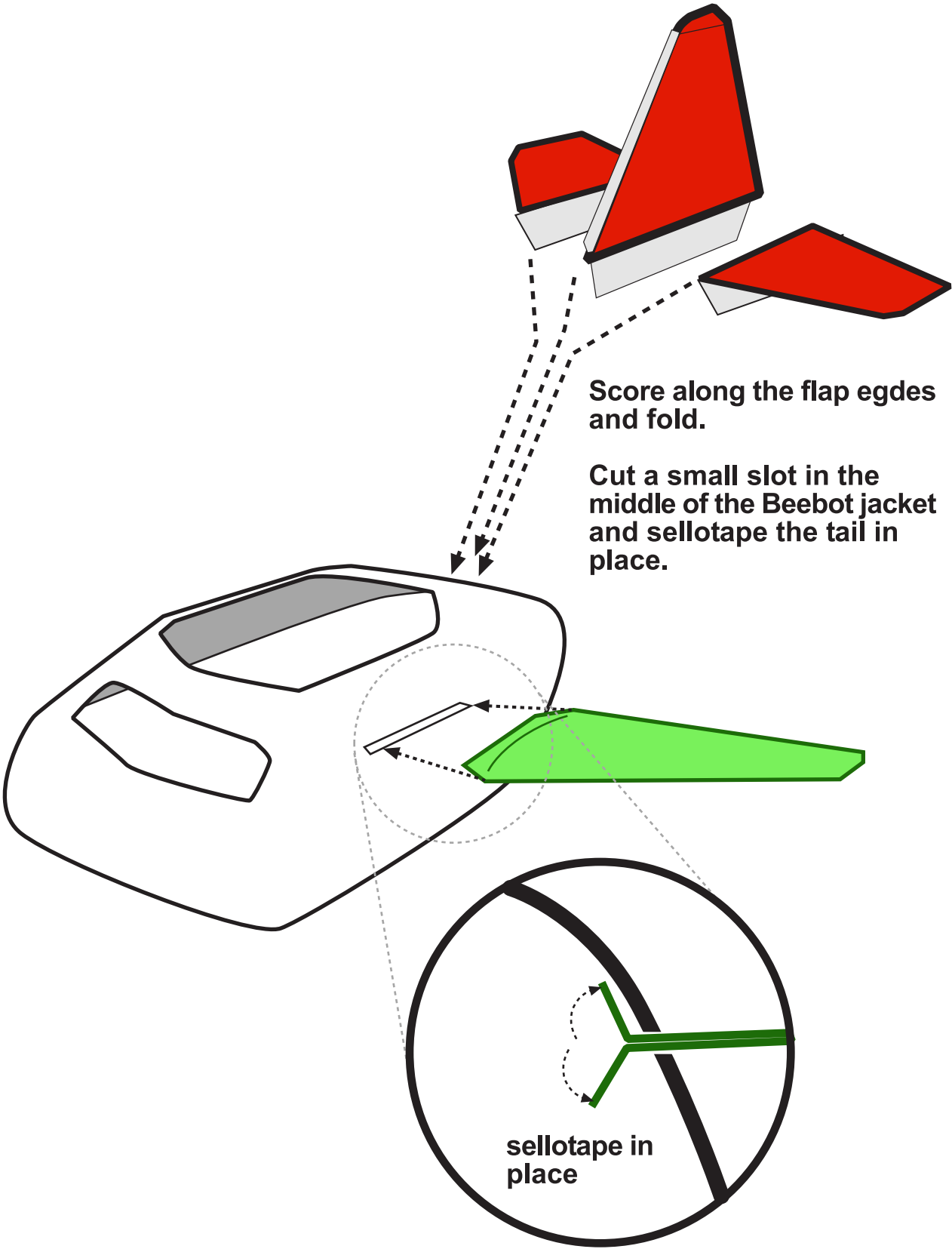
**Engines:**  
These are really fiddly to put together. They also drag along the floor. So only make them if you are enjoying yourself!

1. Cut them out.
2. Laminate.
3. Cut them out again.



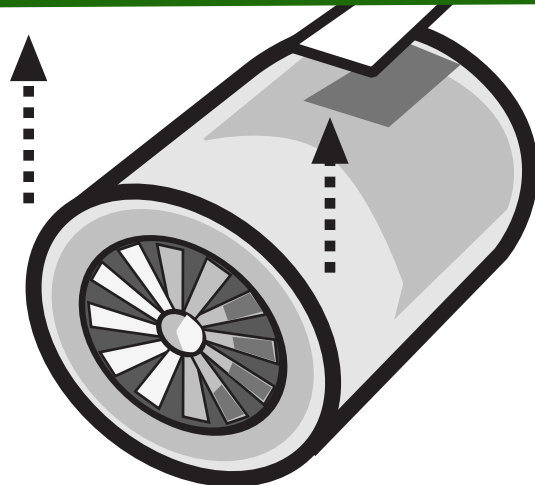
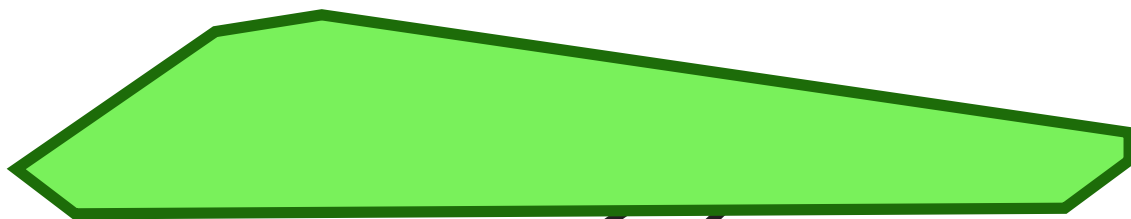
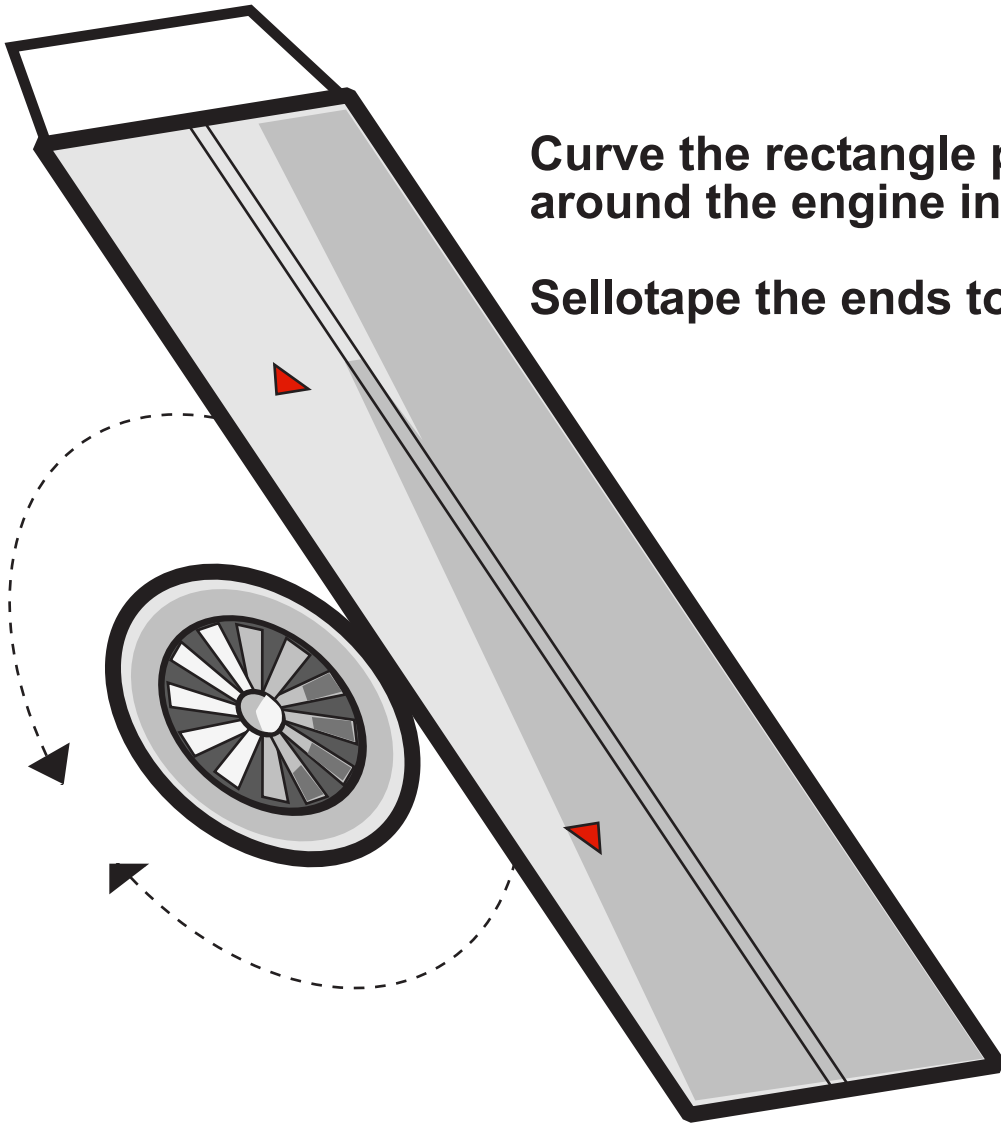
# Kent NGfL Beebot Air Line Jacket

© J. Barrett, 2008



**Curve the rectangle panel  
around the engine intake.**

**Sellotape the ends together.**



**Attach the engine to  
the wings using  
double-sided sticky  
pads.**